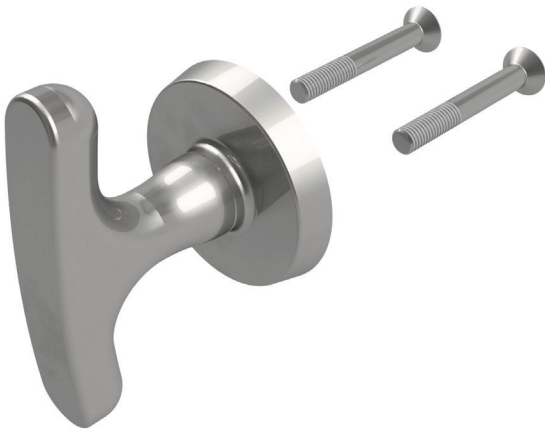


Article nr:  
**SH-T-TM8**



## Description:

This T-handle is designed for great manual dexterity and reduce the risk of damage by vandalism and inappropriate use.

Fixation from the inside by 2 pieces M8 screws with chamfered screw heads (for the best fixation possible).

A 9mm square spindle is used.

## Dimensions:

